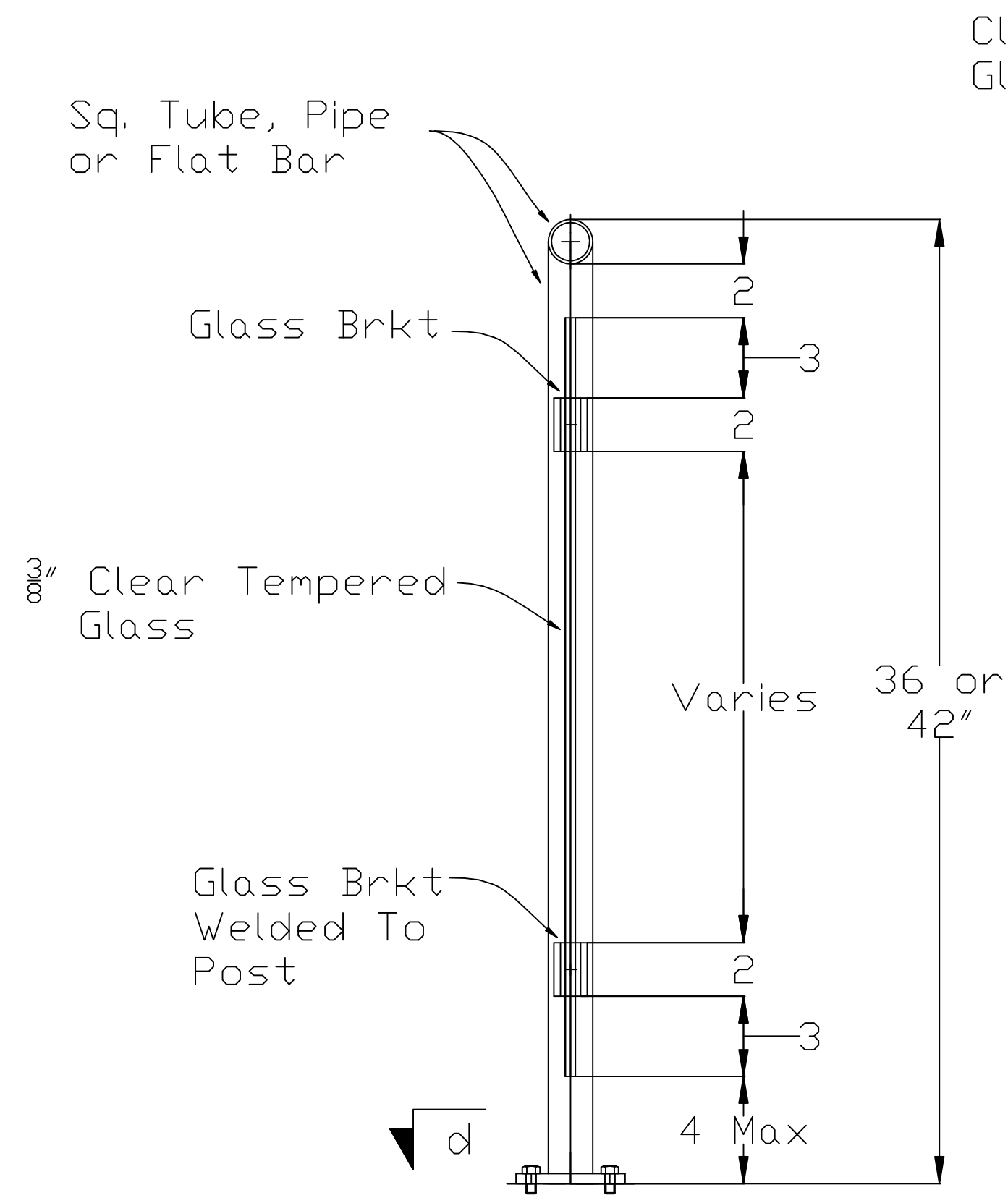
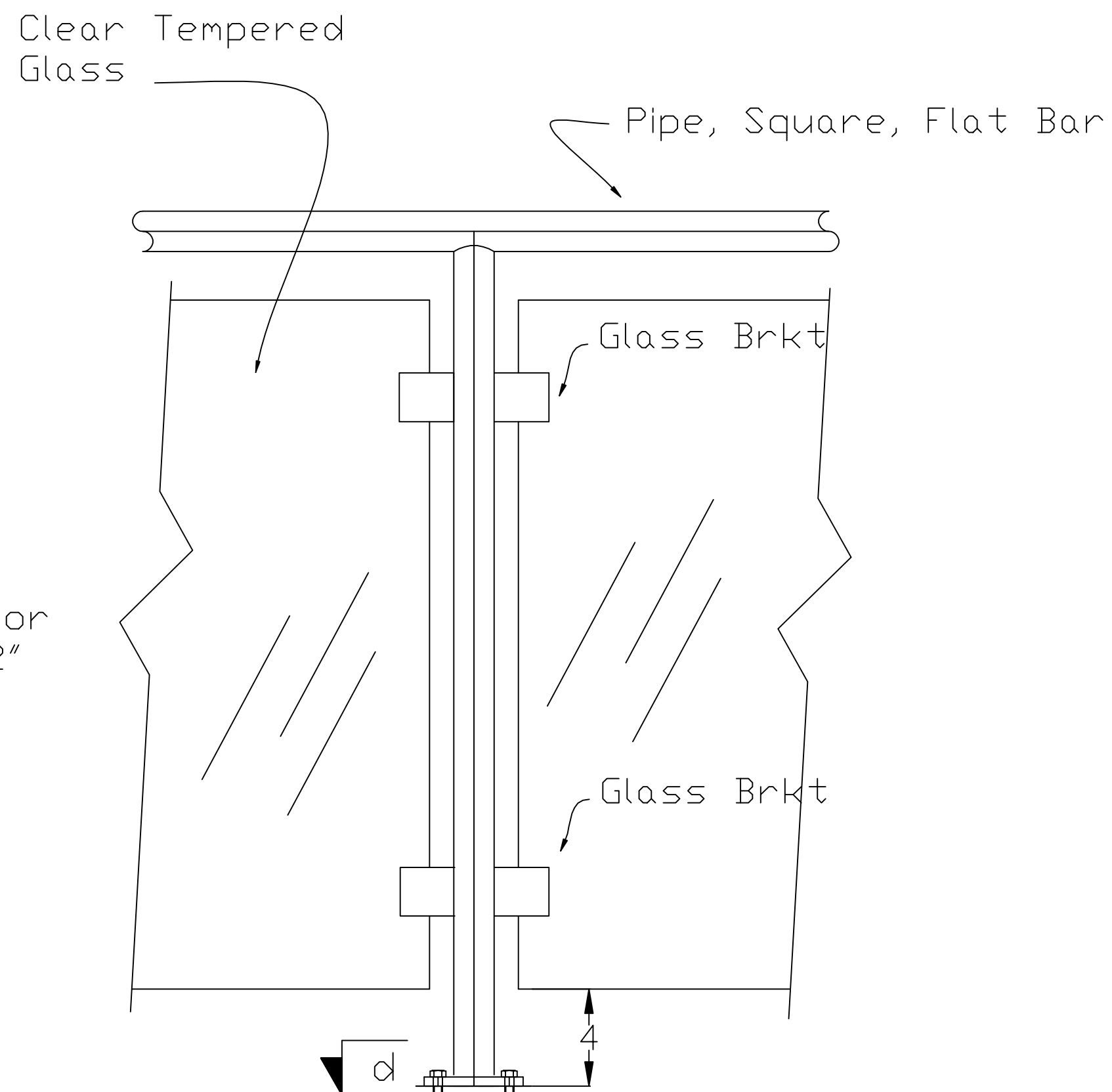


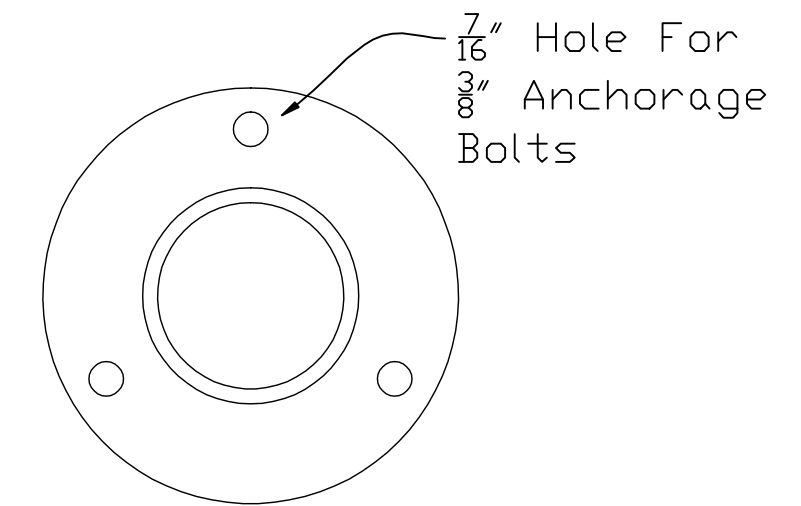
KEY GLASS RAIL SYSTEMS



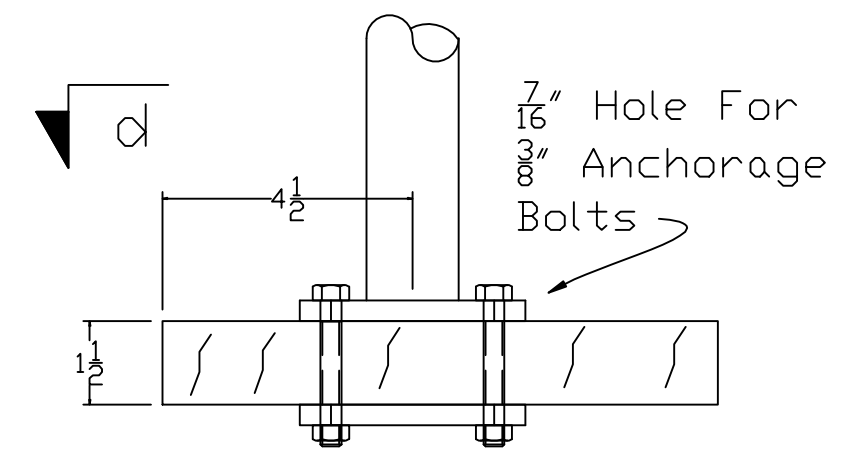
Typ. Front View



Typ. Side View



Detail d
Typ. S/S Post Plates

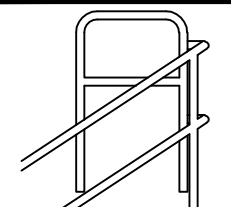


Detail c
Typ. Stair Tread
Anchorage Plates

Specifications:

1. KEY Rail Systems to be Stainless Steel, Aluminum or Steel
2. Finish:
 - a. Stainless Steel: Brush Finish, non-directional
 - b. Aluminum: Anodize, Painted
 - c. Steel: Painted or custom finish.

REV.	DESCRIPTION	DATE	BY	FOR APPROVAL:	JOB NAME:	DRAWN BY:	CHECKED BY:
				R & R APPROVAL:	LOCATION:		SCALE:
				TO SHOP:	CONTRACTOR:		DATE:
				TO FIELD:		JOB NUMBER	SHEET
				AS BUILT:	DESCRIPTION: Key Glass Rail Systems		G2 Δ



MET TECH INC

1901 Post Road
Fairfield, CT. 06824

PH-(203)-254-9319
FAX-(203)-254-9328