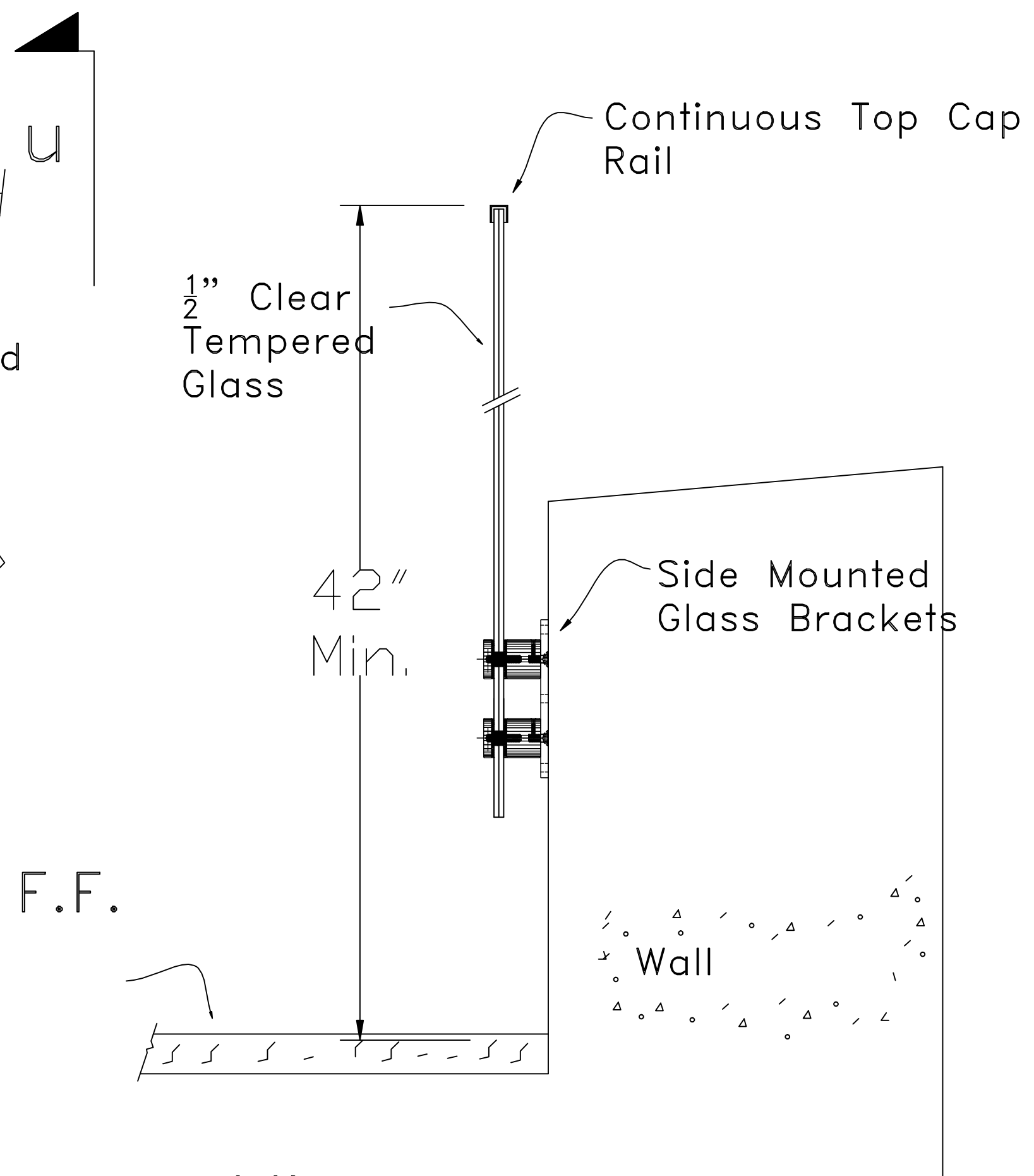
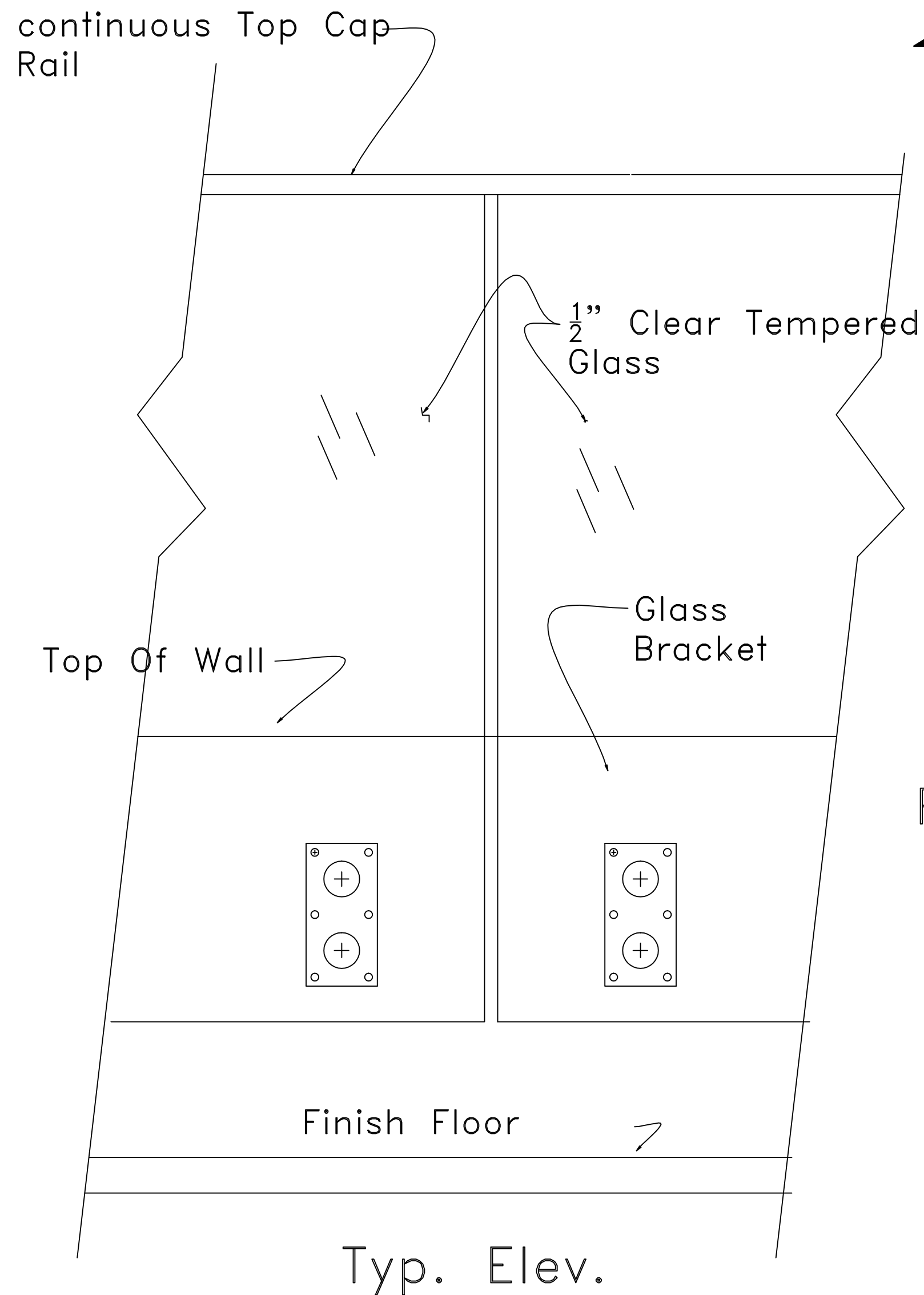


PENN GLASS RAIL SYSTEMS



View u
Side Mounted Glass Rail System

REV.	DESCRIPTION	DATE	BY	FOR APPROVAL:	JOB NAME:	DRAWN BY:	CHECKED BY:
				R & R APPROVAL:	LOCATION:		SCALE:
				TO SHOP:	CONTRACTOR:		DATE:
				TO FIELD:		JOB NUMBER	SHEET
				AS BUILT:	DESCRIPTION: Penn Glass Rail Systems		G1

AMET TECH INC
 1901 Post Road
 Fairfield, CT. 06824

PH-(203)-254-9319
 FAX-(203)-254-9328