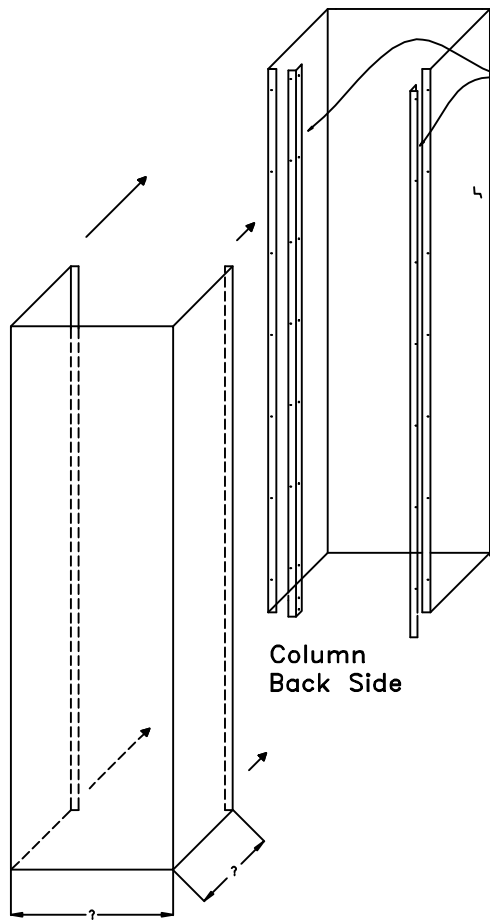


Maiden Column Covers

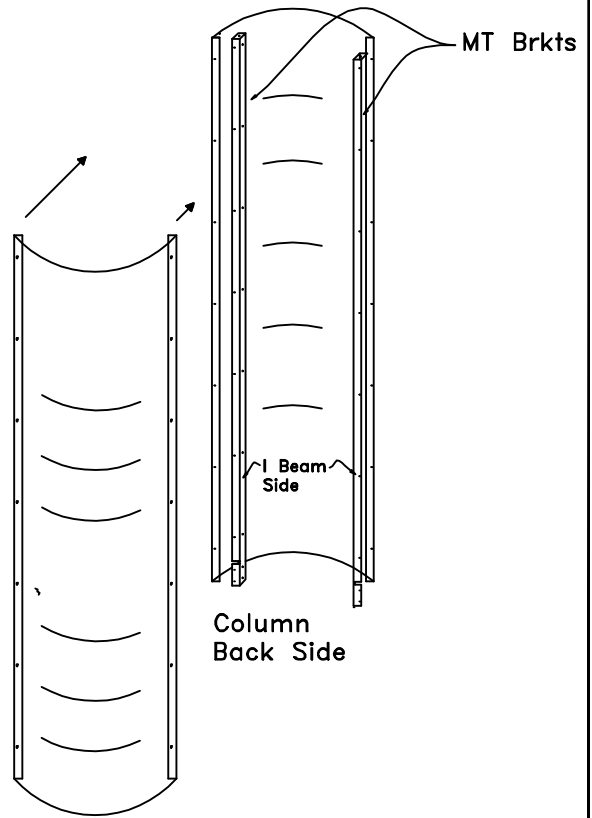


Column
Front Side

Square Or Rectanglar
Column

Column
Back Side

MT Brkts



Column
Front Side

Round or Oval
Column

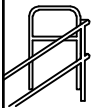
Column
Back Side

MT Brkts

Beam
Side

Specifications:

1. Maiden Column to be Stainless Steel, Aluminum or Steel,
2. Finish:
 - a. Stainless Steel: Brush Finish, non-direction
 - b. Aluminun: Anodize, Painted
 - c. Steel: Painted or custom finish.



MET TECH INC

1901 Post Rd., Fairfield, CT. 06824

JOB NAME:

Ph: (203) 254-9319

LOCATION:

Fax: (203) 254-9328

CONTRACTOR:

mettinc@optonline.net

DRAWN BY:

DRAWING DATE:

SCALE:

FOR APPROVAL: ??/??/??

FINISH:

IN PRODUCTION: ??/??/??

HOLES:

JOB NUMBER:

WORK ORDER #:

DRAWING NUMBER:

DESCRIPTION: Maiden Column Spec. Sheet

C1

